

# PREMIUM GAS FIREPLACE INSERTS

**FIREPLACE**  
**XTRORDINAIR**





*The 32 DVS shown with the Classic Arch™ Face, Driftwood Fyre-Art™, Platinum Glass Media, One-Piece Finish Panel and Insert Wiring Kit.*

FEATURING  
 EMBER-FYRE®  
 TECHNOLOGY  
 The most realistic gas fire available - so real, that Popular Science® magazine awarded the Ember-Fyre® burner one of its top 100 innovations of the year!



## FIREBACK OPTIONS

Handmade Brick, Herringbone Brick and Common Brick firebacks are not compatible with Driftwood Fyre-Art™ or Fyre-Stone™ Rock Kit on the 32 DVS insert.



2 Handmade Brick



Herringbone Brick



Black Glass



Common Brick

# 32 DVS DELUXE MID-SIZED GAS INSERT

## Traditional 1,500 Square Foot Heater

The compact dimensions of the 32 DVS make this our “go-to” insert when it comes to fitting in almost any fireplace. This insert is an efficient way to heat mid-sized homes and living spaces up to 1,500 square feet. The 32 DVS features a ceramic glass viewing area and our award-winning Ember-Fyre® Burner with a high definition detailed log set.

This Deluxe model features our most popular options, namely, adjustable rear Accent Lights, a 180 CFM convection fan and the GreenSmart® Remote Control. Learn more about our exciting GreenSmart® features on page 10.

### Specifications

Heating Capacity:	Up to 1,500 Square Feet
Maximum BTU/HR Input:	31,000 (NG/LP)
Minimum BTU/HR Input:	10,700 (NG) 12,600 (LP)
Steady State Efficiency:	Up To 88.77% (NG), 90.13% (LP)
P4 Canadian Efficiency:	76.17% (NG), 78.05% (LP)
Dimensions:	19-1/2" H, 26-1/2" W (Front), 18" W (Back), 15-1/8"D
Viewing Area:	Ceramic Glass



## DESIGNER FACE OPTIONS



## FYRE-ART™ OPTIONS



Dancing-Fyre™ Burner with Classic Log Set



Ember-Fyre® Burner with High Definition Log Set



Dancing-Fyre™ Burner with Fyre-Stone™ Rock Kit



Dancing-Fyre™ Burner with Driftwood Fyre-Art™



## GLASS MEDIA OPTIONS

When using the Fyre-Stone™ Rock Kit or Driftwood Fyre-Art™



Platinum



Bronze



Cobalt



Black



*The 430 shown with the Shadowbox™ Face, One-Piece Finish Panel, Classic Log Set, Common Brick Fireback and Insert Wiring Kit*

### FIREBACK OPTIONS

Required on this model.



4 Handmade Brick

Herringbone Brick

Black Glass

Common Brick

# 430 DELUXE MID-SIZED GAS INSERT



## Traditional 1,500 Square Foot Heater with Large Viewing Area

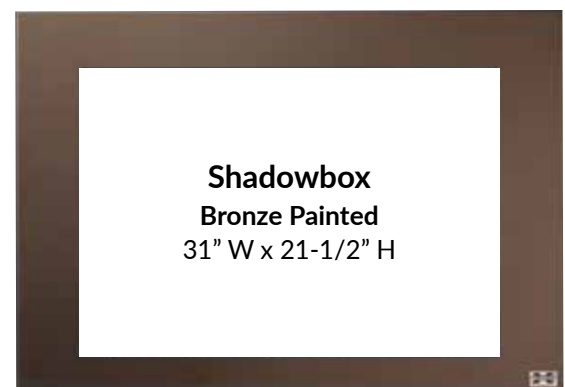
The 430 is a beautiful insert that is ideal for providing supplemental heat to homes or living spaces up to 1,500 square feet. Featuring 430 square inches of ceramic glass, this model has a larger fireviewing area than the DVS. The ceramic glass extends down to the hearth to offer a “clean face” look that resembles a traditional masonry fireplace.

This **Deluxe** model features the GreenSmart® Remote Control, top and rear Accent Lights, and a 180 CFM convection fan. See page 10 for more information on our exciting GreenSmart® features.

### Specifications

Heating Capacity:	Up to 1,500 Square Feet
Maximum BTU/HR Input:	31,000 (NG/LP)
Minimum BTU/HR Input:	11,241 (NG), 7,702 (LP)
Steady State Efficiency (High):	Up To 83.63% (NG), 85.76% (LP)
P4 Canadian Efficiency:	70.11% (NG), 71.27% (LP)
Dimensions:	20-1/4" H, 30-1/2" W (Front), 21" W (Back), 15-1/2"D
Viewing Area:	Ceramic Glass

## DESIGNER FACE OPTIONS



## FYRE-ART™ OPTIONS



Classic Log Set



Driftwood Fyre-Art™



*The 34 DVL shown with the Artisan™ Charcoal Painted Face, Ember-Fyre® Burner with High Definition Log Set, LedgeStone Fireback, One-Piece Custom 4-Sided Panel and Insert Wiring Kit.*

FEATURING  
 EMBER-FYRE®  
 TECHNOLOGY  
 The most realistic gas fire available - so real, that Popular Science® magazine awarded the Ember-Fyre® burner one of its top 100 innovations of the year!



## FIREBACK OPTIONS

Handmade Brick, Herringbone Brick and Common Brick firebacks are not compatible with Driftwood Fyre-Art™ or Fyre-Stone™ Rock Kit on the 34 DVL insert.



6 Handmade Brick



Herringbone Brick



Black Glass



Common Brick



LedgeStone  
 Ember-Fyre® Burner Only

# 34 DVL DELUXE LARGE GAS INSERT



## Traditional 2,000 Square Foot Heater

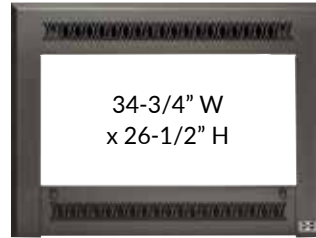
The 34 DVL is our most popular gas insert and can heat up to 2,000 square feet. This model has a generous ceramic glass viewing area while featuring our award-winning Ember-Fyre® Burner and high definition detailed log set.

The 34 DVL is a **Deluxe** model that features the GreenSmart® Remote Control, adjustable rear and top Accent Lights, and a 180 CFM convection fan. Learn more about our exciting GreenSmart® features on page 10.

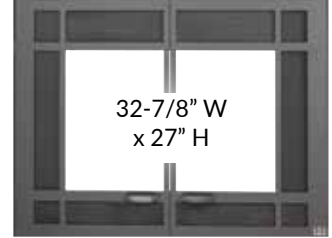
### Specifications

Heating Capacity:	Up to 2,000 Square Feet
Maximum BTU/HR Input:	40,000 (NG/LP)
Minimum BTU/HR Input:	11,900 (NG) 7,400 (LP)
Steady State Efficiency (High):	Up To 86.95% (NG), 88.39% (LP)
P4 Canadian Efficiency:	75.21% (NG), 76.01% (LP)
Dimensions:	23-3/4" H, 31-1/2" W (Front), 20" W (Back), 14-1/2"D
Viewing Area:	Ceramic Glass

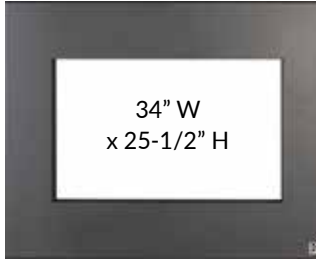
## DESIGNER FACE OPTIONS



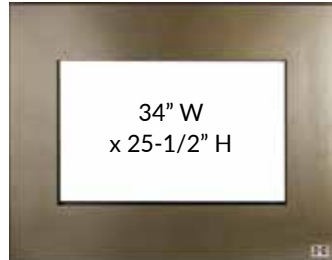
Metropolitan™ Black Painted



Architectural Double Door Black Painted



Shadowbox Black Painted



Shadowbox Bronze Painted



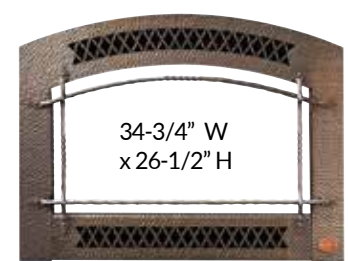
Classic Arch™ Black Painted



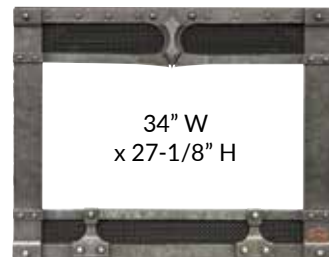
French Country™ Black Painted



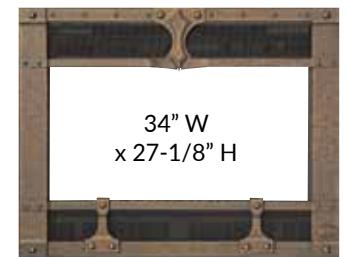
Artisan™ Charcoal Painted



Artisan™ Bronze Patina



Timberline™ Burnished Patina



Timberline™ Bronze Patina

## FYRE-ART™ OPTIONS



Dancing-Fyre™ Burner with Classic Log Set



Ember-Fyre® Burner with High Definition Log Set



Dancing-Fyre™ Burner with Fyre-Stone™ Rock Kit



Dancing-Fyre™ Burner with Driftwood Fyre-Art™

## GLASS MEDIA OPTIONS

When using the Fyre-Stone™ Rock Kit or Driftwood Fyre-Art™



Platinum



Bronze



Cobalt



Black



*The 616 shown with the Shadowbox™ Face, Fyre-Stone™ Rock Kit, Black Glass Fireback, One-Piece Custom 4-Sided Panel and Insert Wiring Kit.*

## FIREBACK OPTIONS

Required on this model.



# 616 DELUXE LARGE GAS INSERT

## Traditional 2,000 Square Foot Heater with Large Viewing Area

The 616 is an excellent heater and beautiful focal point for larger homes and grand spaces up to 2,000 square feet. This insert features our biggest fireview, with 616 square inches of ceramic glass that extends down to the hearth. This creates a “clean face” look with minimal metal facing and a larger fireview than other inserts its size. This is the major difference between the DVL and 616 inserts.

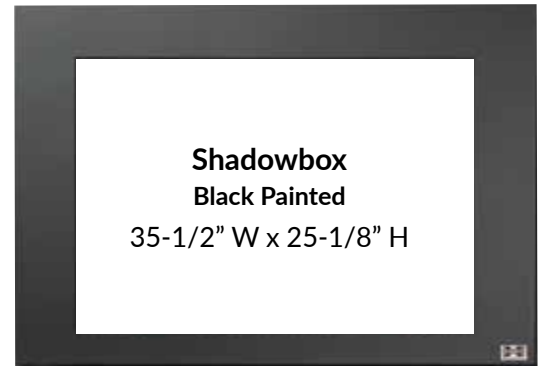
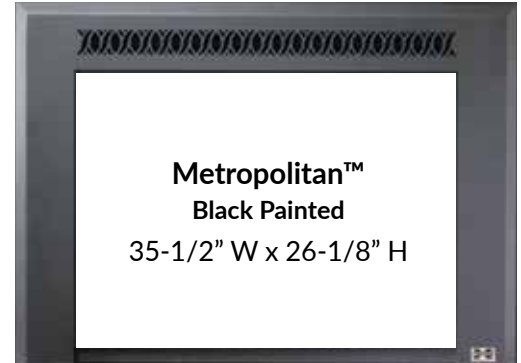
The 616 is a **Deluxe** insert that features a 180 CFM convection fan, top and rear Accent Lights, and the GreenSmart® Remote Control. Learn more about our exciting GreenSmart® features on page 10.

### Specifications

Heating Capacity:	Up to 2,000 Square Feet
Maximum BTU/HR Input:	39,000 (NG/LP)
Minimum BTU/HR Input:	14,835 (NG) 11,872 (LP)
Steady State Efficiency (High):	Up To 84.94% (NG), 86.75% (LP)
P4 Canadian Efficiency:	70.92% (NG), 72.97% (LP)
Dimensions:	23-5/16" H, 34" W (Front), 24" W (Back), 16"D
Viewing Area:	Ceramic Glass



## DESIGNER FACE OPTIONS



## FYRE-ART™ OPTIONS



Classic Log Set



Driftwood Fyre-Art™

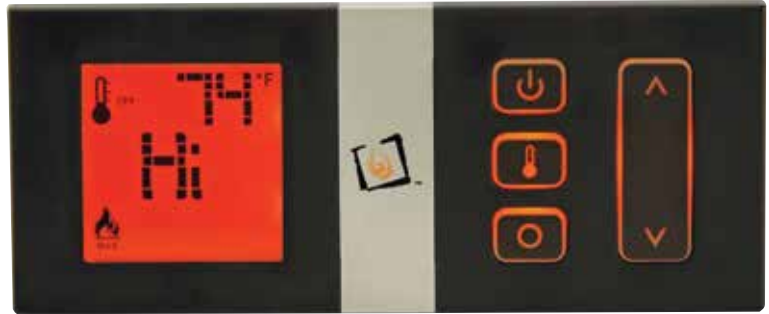


Fyre-Stone™ Rock Kit

All of our Deluxe Gas Fireplace Inserts feature the patented GreenSmart® System. This proprietary system is the most innovative collection of components, controls and technology that when combined provides an elegant, greener and smarter way to heat your home.

## GreenSmart® Deluxe Multi-Function Wireless Thermostat Remote Control

- Two Thermostat Modes
- Flame Adjustment (6 levels)
- Change Between GreenSmart® and CPI Pilot Modes
- Fan Operation (6 levels)
- Comfort Control™ (Controls rear burner)
- Accent Lights (6 levels)



### Manual Setting

ON/OFF, Fire and Fan stay where you manually set it.

### Thermostat Setting

Fireplace turns ON or OFF to maintain your desired home/room temperature.

### Smart Thermostat Setting

“Smart Thermostat Mode” automatically adjusts the flame height based on the temperature setting, so the flame will modulate up/down as opposed to shutting OFF/ON like normal thermostats. This setting conserves fuel and maximizes the fireplace inserts heating ability while extending the viewing pleasure of the fire.

### Choice of Pilot Modes

Easily Switch Between Pilot Modes:

#### GreenSmart® Mode

Use in Summer or milder heating days to reduce gas consumption from the Pilot.



#### CPI - Continuous Pilot Mode

Keeps the Pilot on at all times. This warms the vent system to maintain a strong draft in your chimney and reduce moisture condensation on the glass. Used in Fall/Winter or in cold climate areas.

The GreenSmart® system includes a battery back-up, ensuring proper ignition even during power outages.



### Flame Adjustment

Adjust the height/heat of the flame. 6 levels of flame heights to choose from.



### Convection Fans

Circulate room air around the firebox and deliver heated air into your home. 6 speeds to choose from.



### Comfort Control™

Comfort Control turns off the rear burner while leaving the front burner on for an attractive flame when heat output is not the priority. This feature offers a turn-down ratio of up to 75 percent and offers a more efficient way to heat your home by only burning the correct amount of fuel to keep a constant room temperature.



### Accent Lights

Accent Lights are a standard feature in all Deluxe fireplace inserts. This feature adds a warm glow to both the logs and fireplace interior, and can be used when the fire is on or off.



Accent Lights Off



Accent Lights On

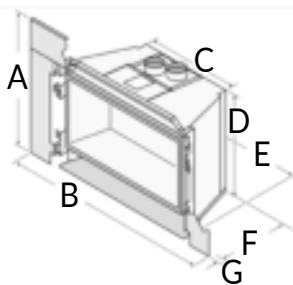
Perfect as a nightlight or soft indirect light for the room, the Accent Lights allow for visual enhancement of your fireplace insert 365 days a year. 6 levels to choose from.

*Rear accent lights not available on DVS and DVL when using Driftwood or Fyre-Stone™ Rock Kit.*

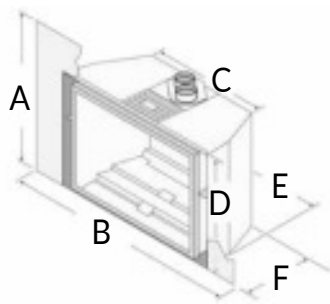
# Model Dimensions

## MID-SIZED INSERTS

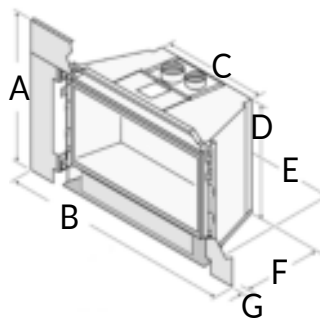
**32 DVS  
Deluxe**



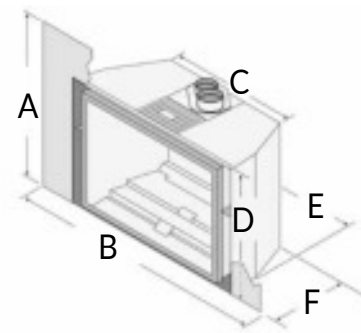
**430  
Deluxe**



**34 DVL  
Deluxe**



**616  
Deluxe**



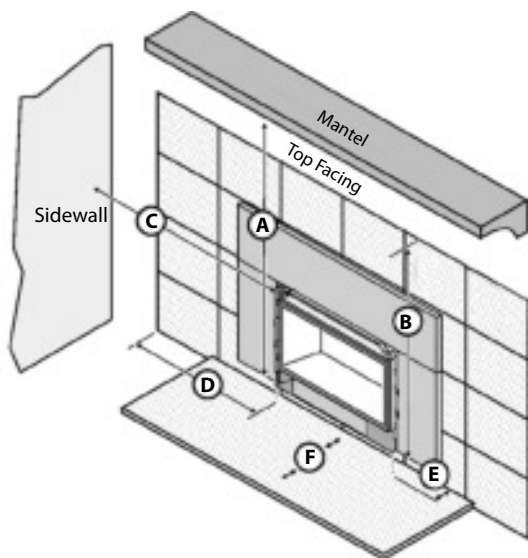
A	See Surround Panels for sizing (Page 12)
B	See Surround Panels for sizing (Page 12)
C	18" (457mm)
D	19-1/2" (495mm)
E	26-1/2" (673mm)
F	15-1/8" (384mm)
G	1-1/4" (32mm)

A	Small 25" (635mm) Large 28-1/2" (724mm)
B	Small 38" (966mm) Large 40" (1016mm)
C	21" (534mm)
D	20-1/4" (515mm)
E	30-1/2" (775mm)
F	15-1/2" (394mm)

A	See Surround Panels for sizing (Page 12)
B	See Surround Panels for sizing (Page 12)
C	20" (508mm)
D	23-3/4" (603mm)
E	31-1/2" (800mm)
F	14-1/2" (368mm)
G	1-1/4" (32mm)

A	Small 30-1/2" (775mm) Large 34" (864mm)
B	Small 42" (1067mm) Large 44" (1118mm)
C	24" (610mm)
D	23-5/16" (592mm)
E	34" (864mm)
F	16" (406mm)

## Clearances To Combustibles & Hearth Protection



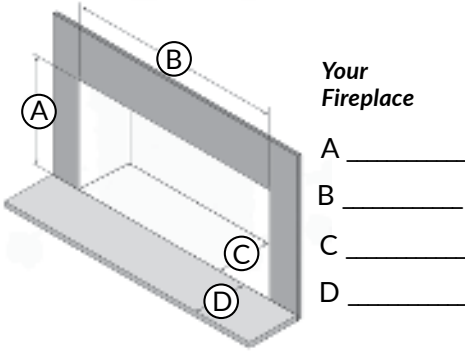
	MID-SIZED INSERTS		LARGE INSERTS	
	32 DVS Deluxe	430 Deluxe	34 DVL Deluxe	616 Deluxe
A	A = 35"* (889mm)	A = 34-1/2"* (877mm)	A = 35-1/2"* (902mm)	A = 36-1/2"* (927mm)
B	B = 35" (889mm)	B = 32-3/8" (823mm)	B = 35-1/2" (902mm)	B = 35-1/2" (902mm)
C	C = 4-1/2" (114mm)	C = 5" (127mm)	C = 4" (102mm)	C = 6" (152mm)
D	D = 4-1/2" (114mm)	D = 3-3/8" (186mm)	D = 4" (102mm)	D = 5" (102mm)
E	E = 1-1/4"* (32mm)	E = 0"	E = 1-1/4"* (32mm)	E = 0"
F	F = 0"	F = 1-3/4" (44mm)	F = 0"	F = 12" (305mm)
	* Maximum 12" mantle depth **0" If used with one piece panel A & B - measured from floor. C & D - measured from side of unit.	* Maximum 12" mantle depth. See Owner's Manual for clearances when using less than 12" mantle depth. A & B - measured from floor. C & D - measured from side of unit.	* Maximum 12" mantle depth **0" If used with one piece panel A & B - measured from floor. C & D - measured from side of unit.	* Maximum 12" mantle depth. See Owner's Manual for clearances when using less than 12" mantle depth. A & B - measured from floor. C & D - measured from side of unit.

# Sizing Your Insert To Your Fireplace

Determine which insert is best for your home based on your fireplace size and heating requirements.



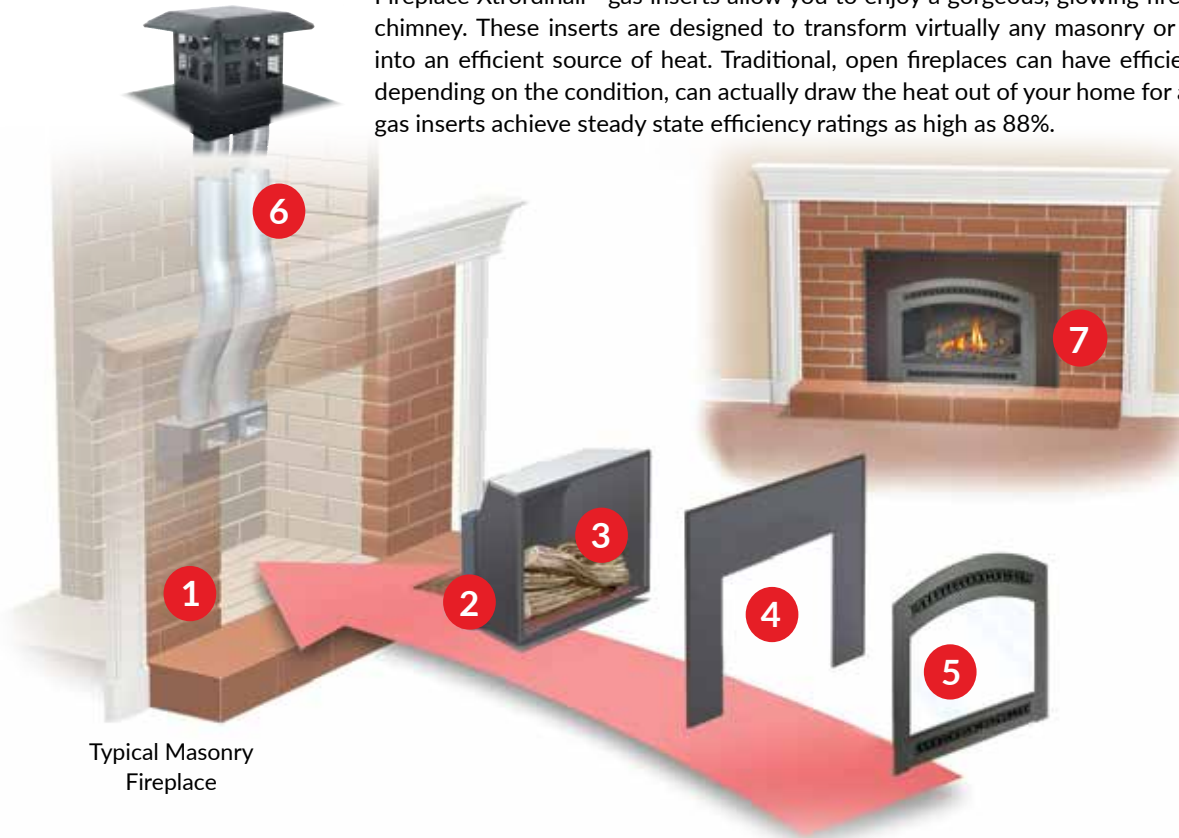
Minimum Fireplace Requirements Per Model



Panel Type	A - Height		B - Width		C - Depth		D - Hearth Extension	
	3-Piece	1-Piece	3-Piece	1-Piece	3-Piece	1-Piece	3-Piece	1-Piece
32 DVS	19-1/2"	20-5/8"	26-1/2"	29"	15-5/8" Arch 15-1/8" Rect.	16-7/8" Arch 16-3/8" Rect.	1-1/4"	0"
34 DVL	23-3/4"	24-7/8"	31-1/2"	32-1/2"	15" Arch 14-1/2" Rect.	16-1/4" Arch 15-3/4" Rect.	1-1/4"	0"
430 Deluxe	-	20-1/4"	-	30-1/2"	-	15-1/2"	-	1-3/4"
616 Deluxe	-	24-1/4"	-	35"	-	16-1/2"	-	12"

# Sizing Your Insert To Your Fireplace

Fireplace Xtrordinair® gas inserts allow you to enjoy a gorgeous, glowing fire without losing heat out of your chimney. These inserts are designed to transform virtually any masonry or zero clearance (metal) fireplace into an efficient source of heat. Traditional, open fireplaces can have efficiency ratings as low as 15%, and depending on the condition, can actually draw the heat out of your home for a net heat loss. Our heater-rated gas inserts achieve steady state efficiency ratings as high as 88%.



## All Fireplace Xtrordinair® Gas Inserts Feature Direct Venting

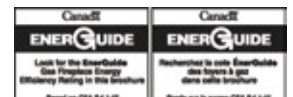
All Fireplace Xtrordinair® Gas Inserts feature an efficient co-linear direct venting system. This dual-liner system allows for direct venting through an existing masonry chimney with one liner to vent exhaust and the other liner to provide combustion air and maintain indoor air quality.

- 1** Measure Your Existing Masonry or Metal (Zero Clearance) Fireplace
- 2** Select the Insert That Best Fits Your Fireplace
- 3** Choose A Logset and Burner
- 4** Select A Finish Panel
- 5** Pick One of the Designer Faces
- 6** Add the Co-Linear Direct Vent Chimney
- 7** Enjoy the Heat!

## YOUR FIREPLACE XTORDINAIR® AUTHORIZED DEALER:



FireplaceX.com  
 Manufactured by  
 Travis Industries, Mukilteo, WA



We reserve the right to change and improve our product at any time without prior notification. Please refer to the Owner's Installation Manual for complete installation requirements.

Photos and illustrations are for descriptive purposes only. Fireplace Xtrordinair® Gas Fireplaces are protected by one or more of the following patents;

U.S. 8,469,021, 7,066,170, 6,602,068, 6,443,726, 6,953,037; Canada 2755517 as well as other U.S. and Foreign Patents Pending. Copyright ©3/2019 • #98800157